

**NAME: 48 INCH SNOWDOZER**

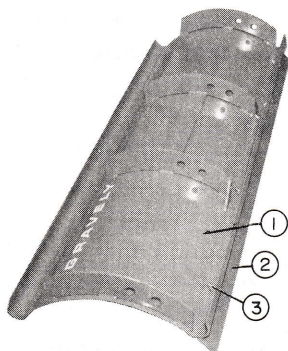
**PART NUMBER(S): 24678**

These Set-Up Instructions tell how to assemble the Snowdozer and how to connect the Snowdozer to the tractor. All reference to right side, left side, front and rear are given from the operator's position.

## 1.0 HOW TO ASSEMBLE THE BLADE

This section tells how to assemble the blade.

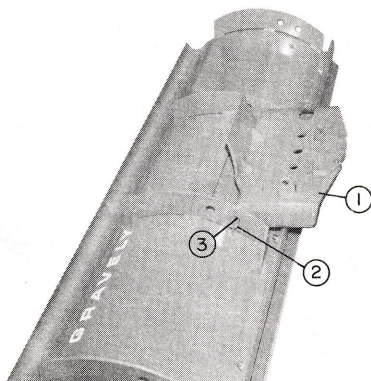
1. Fasten the Wear Plate to the Blade with the 3/8" x 1" round head bolts, lock washers and 3/8" lock nuts as shown in figure 1.0-1.



- 1 — Blade
- 2 — Wear Plate
- 3 — Bolts

Figure 1.0-1

2. Connect the Pivot Plate to the Blade with the Blade Pivot and fasten with a cotter pin in each end of the Blade Pivot as shown in figure 1.0-2.

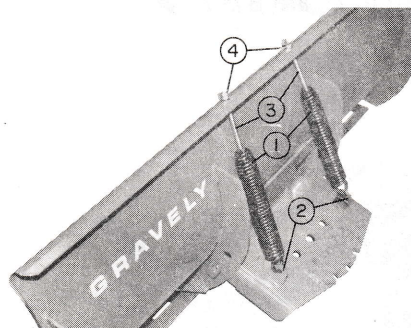


- 1 — Pivot Plate
- 2 — Blade Pivot
- 3 — Cotter Pin

Figure 1.0-2

To continue its program of quality and design improvement, the manufacturer reserves the right to change specifications, designs and prices without notice and incurring obligation.

3. Put a 3/8" x 4-1/2" bolt into and through each Trip Spring and put the hook of the Trip Springs into the hole in the Tabs on the Pivot Plate. Then put the bolts through the holes in the top of the blade and fasten with two 3/8" jam nuts on each bolt as shown in figure 1.0-3. Tighten the nuts against the blade with your fingers and then use a wrench to tighten the nuts three complete turns. Tighten the jam nuts together.

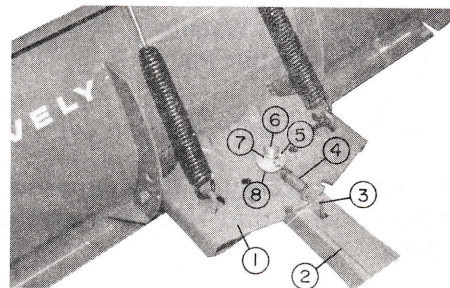


- 1 — Trip Springs
- 2 — Tabs
- 3 — Bolts
- 4 — Jam Nuts

Figure 1.0-3

## 2.0 HOW TO FASTEN THE PUSH FRAME TO THE BLADE PIVOT PLATE

This section tells how to fasten the Push Frame to the Blade Pivot Plate.



- 1 — Pivot Plate
- 2 — Push Frame
- 3 — Pivot Lock Bar
- 4 — Blade Angling Spring
- 5 — Spring Anchor Washer
- 6 — Bolt
- 7 — Jam Nuts
- 8 — Spacer (not shown)

Figure 2.0-1

Form No.

25041 (10-78)

Printed in U.S.A.

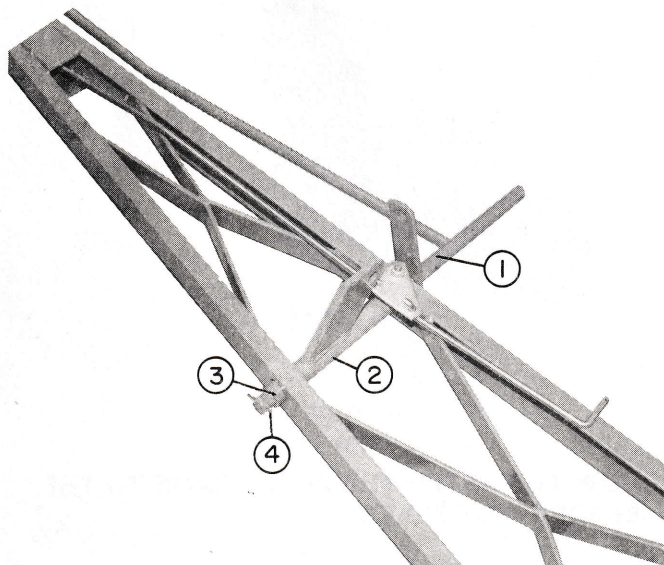


1. Put the end of the Push Frame in the Pivot Plate. Align the hole in the Push Frame with the center hole in the Pivot Plate and put a 3/4" x 4-1/2" bolt through the hole from the bottom as shown in figure 2.0-1.
2. Put the hook of the Blade Angling Spring in the small hole in the Spring Anchor Washer and the other end of the spring in the Pivot Lock Bar.
3. Put the Spacer on the Bolt and then put the Spring Anchor Washer on the Bolt and fasten with two 3/4" Jam Nuts. See figure 2.0-1.

### 3.0 HOW TO ASSEMBLE THE PUSH FRAME

This section tells how to assemble the Push Frame.

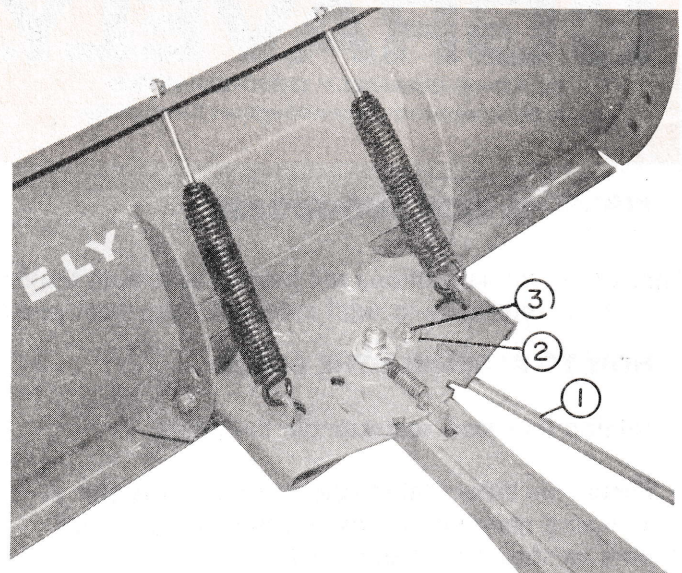
1. Put the Pivot Shaft through the tube on the Push Frame and fasten with a Flat Washer and Cotter Pin as shown in figure 3.0-1.



- 1 — Pivot Shaft
- 2 — Tube
- 3 — Flat Washer
- 4 — Cotter Pin

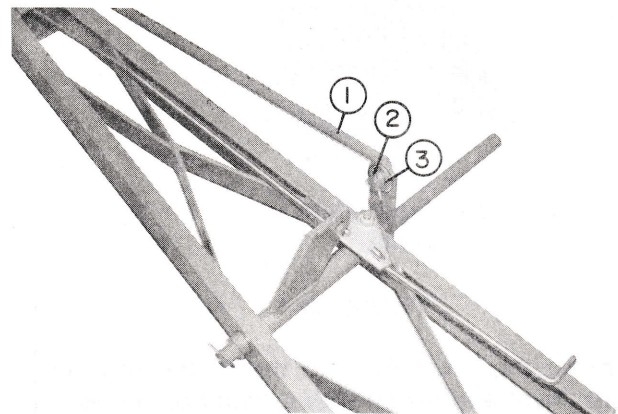
Figure 3.0-1

2. Fasten the Angling Control Rod to the Pivot Plate with a Flat Washer and Hitch Pin as shown in figure 3.0-2.
3. Fasten the other end of the Angling Control Rod to the plate on the Pivot Shaft with a Flat Washer and Hitch Pin as shown in figure 3.0-3.
4. Fasten the Kick Stand to the Push Frame with the 3/8" x 1" bolt and 3/8" lock nut as shown in figure 3.0-4.



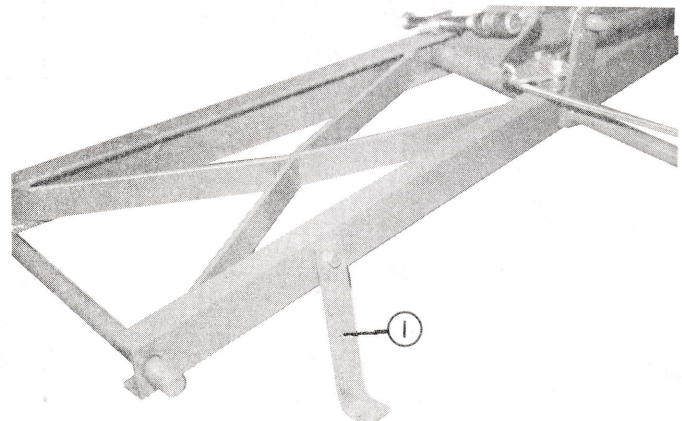
- 1 — Angling Control Rod
- 2 — Flat Washer
- 3 — Hitch Pin

Figure 3.0-2



- 1 — Angling Control Rod
- 2 — Hitch Pin
- 3 — Flat Washer

Figure 3.0-3



- 1 — Kick Stand

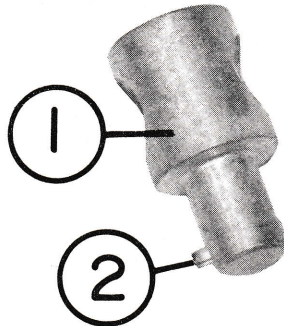
Figure 3.0-4



#### 4.0 HOW TO ASSEMBLE THE QUICK DISCONNECT ASSEMBLY

This section tells how to assemble the Quick Disconnect Assembly.

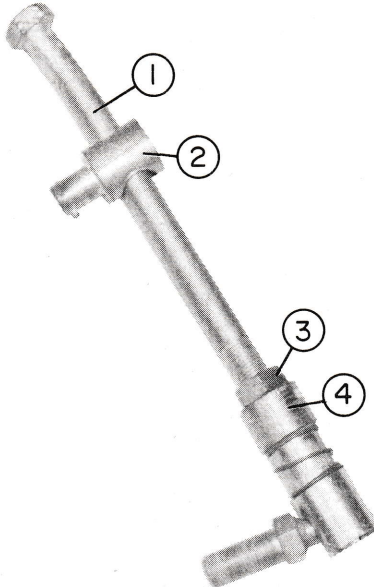
1. Put the Grove Pin in the small hole in the Lift Pivot. Use force to push the pin in until it is even with the other side as shown in figure 4.0-1.



- 1 — Lift Pivot
- 2 — Grove Pin

Figure 4.0-1

2. Put the Lift Pivot on the 1/2" x 7" bolt with the Grove Pin towards the threaded end of the bolt as shown in figure 4.0-2.



- 1 — Bolt
- 2 — Lift Pivot
- 3 — Jam Nut
- 4 — Quick Disconnect

Figure 4.0-2

3. Put a 1/2" Jam Nut on the Bolt, engage the threads of the Bolt in the Quick Disconnect and tighten. Tighten the Jam Nut. The assembly will be as shown in figure 4.0-2.

4. Fasten the Quick Disconnect assembly to the Push Frame with the lock washer and 1/2" lock nut as shown in figure 4.0-3.

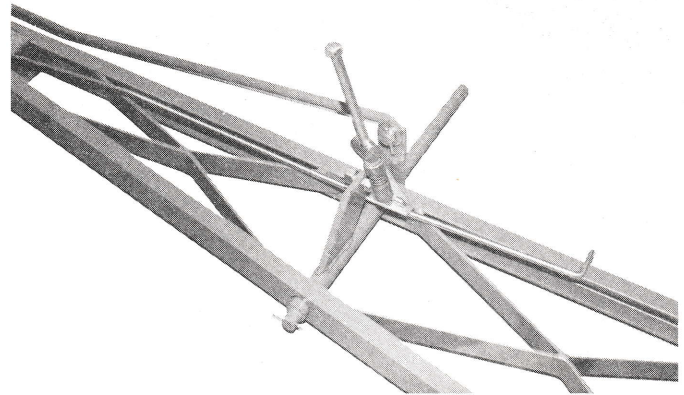
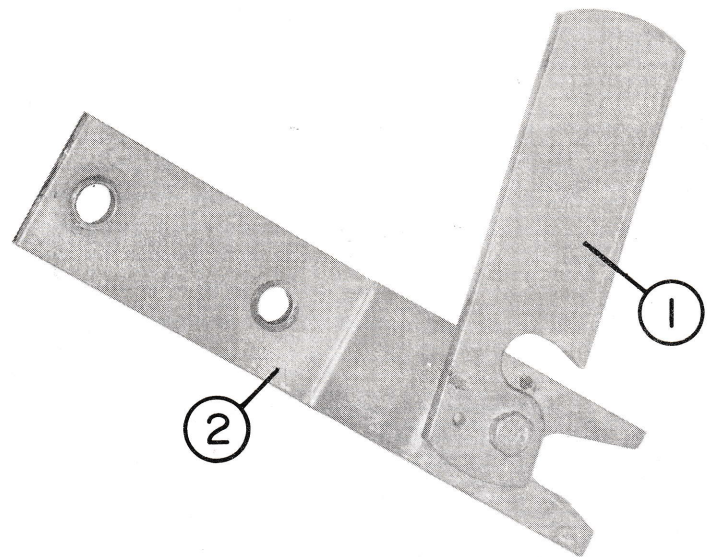


Figure 4.0-3

#### 5.0 HOW TO INSTALL THE AXLE LATCH ON THE TRACTOR

This section tells how to install the Axle Latch to the tractor.

1. Fasten the Locking Strap to the Axle Latch Plate with the 3/8" x 1-1/4" bolt and 3/8" lock nut as shown in figure 5.0-1.

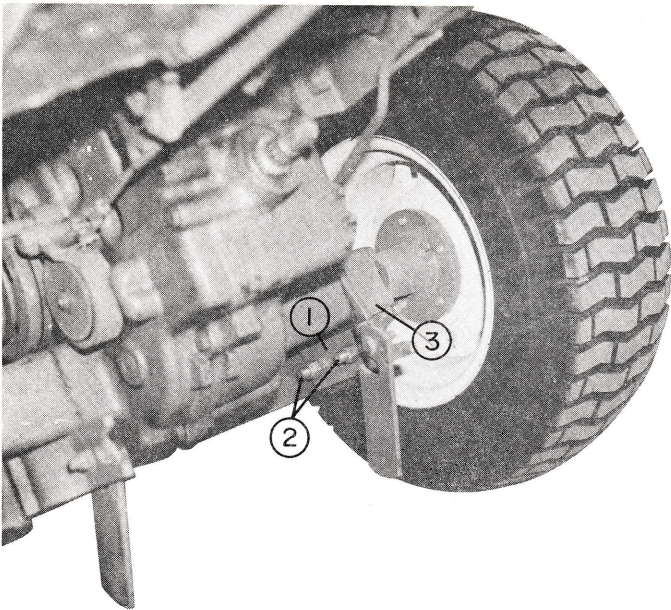


- 1 — Locking Strap
- 2 — Axle Latch Plate

Figure 5.0-1

2. Remove the Bolts that fasten the rear hitch to the axle of the tractor. Next, fasten the Axle Latch assembly and the rear hitch to the tractor axle with the 1/2" x 2" bolts and 1/2" nuts as shown in figure 5.0-2.





- 1 — Axle Latch Assembly
- 2 — Bolts
- 3 — Tractor Axle

Figure 5.0-2

## 6.0 HOW TO CONNECT THE SNOWDOZER TO THE TRACTOR

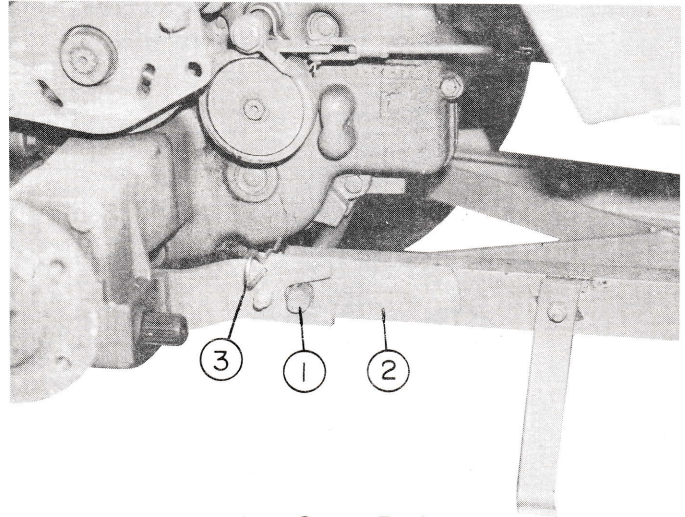
This section tells how to connect the Snowdozer to the tractor.

1. Put the tractor in position so the Snowdozer Push Frame is between the front wheels of the tractor. Stop the engine and put the tractor Direction Control Lever and Gear Selector in the neutral position.
2. Move the Locking Straps on the Axle Latch up as shown in figure 6.0-1.



Figure 6.0-1

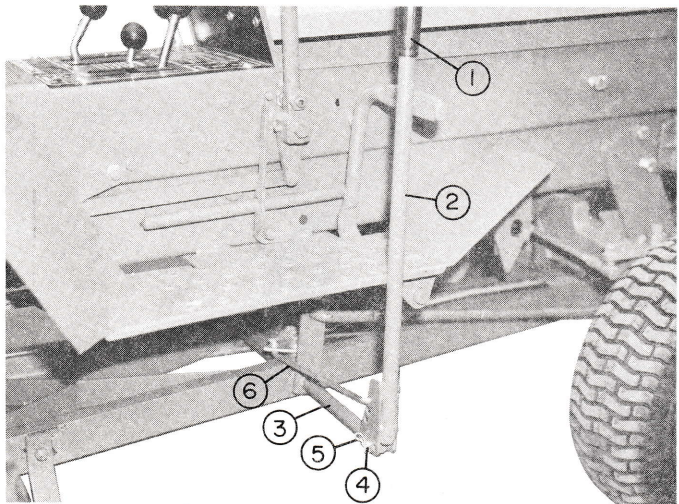
3. Roll the tractor forward over the Push Frame.
4. Put the cross rod of the Push Frame into the Axle Latch on each side of the tractor and push the Locking Straps down to fasten the cross rod in position as shown in figure 6.0-2. Fasten the Locking Straps in position with the hitch pins.



- 1 — Cross Rod
- 2 — Locking Strap
- 3 — Hitch Pin

Figure 6.0-2

5. Put the Handle Grip on the Control Handle and fasten the Control Handle to the Pivot Shaft with the Clevis Pin and Hitch Pin as shown in figure 6.0-3.

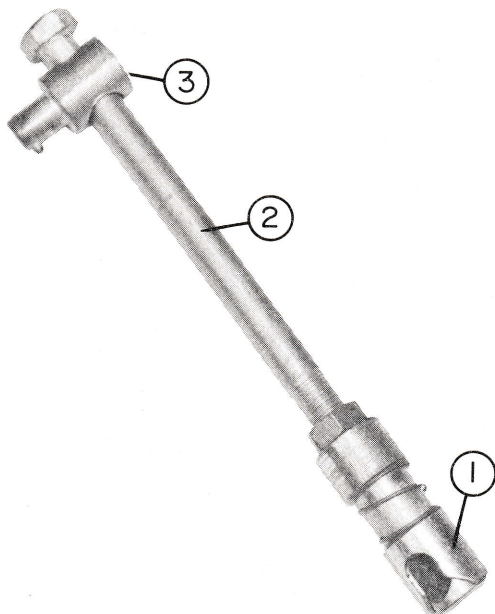


- 1 — Handle Grip
- 2 — Control Handle
- 3 — Pivot Shaft
- 4 — Clevis Pin
- 5 — Hitch Pin
- 6 — Latch Control

Figure 6.0-3



6. Connect the Latch Control to the Control Handle with the Hitch Pin.
7. Pull the Locking Collar on the Quick Disconnect towards the Bolt and remove the assembly from the ball. See figure 6.0-4.



- 1 — Locking Collar
- 2 — Bolt
- 3 — Lift Pivot

Figure 6.0-4

8. Put the tractor's attachment lift in the down position.
9. Hold the Quick Disconnect assembly with the head of the bolt down and put the Lift Pivot in the second hole from the bottom of the tractor attachment lift. Then rotate the Quick Disconnect assembly so the bolt head is up.
10. Pull the Locking Collar and connect the Quick Disconnect to the ball.
11. Put the tractor attachment lift in the raised position. If the Snowdozer hits the front axle of the tractor, put the Quick Disconnect Lift Pivot in a lower hole in the tractor attachment lift.

This completes the Set-Up Instructions for the 48 Inch Snowdozer.

